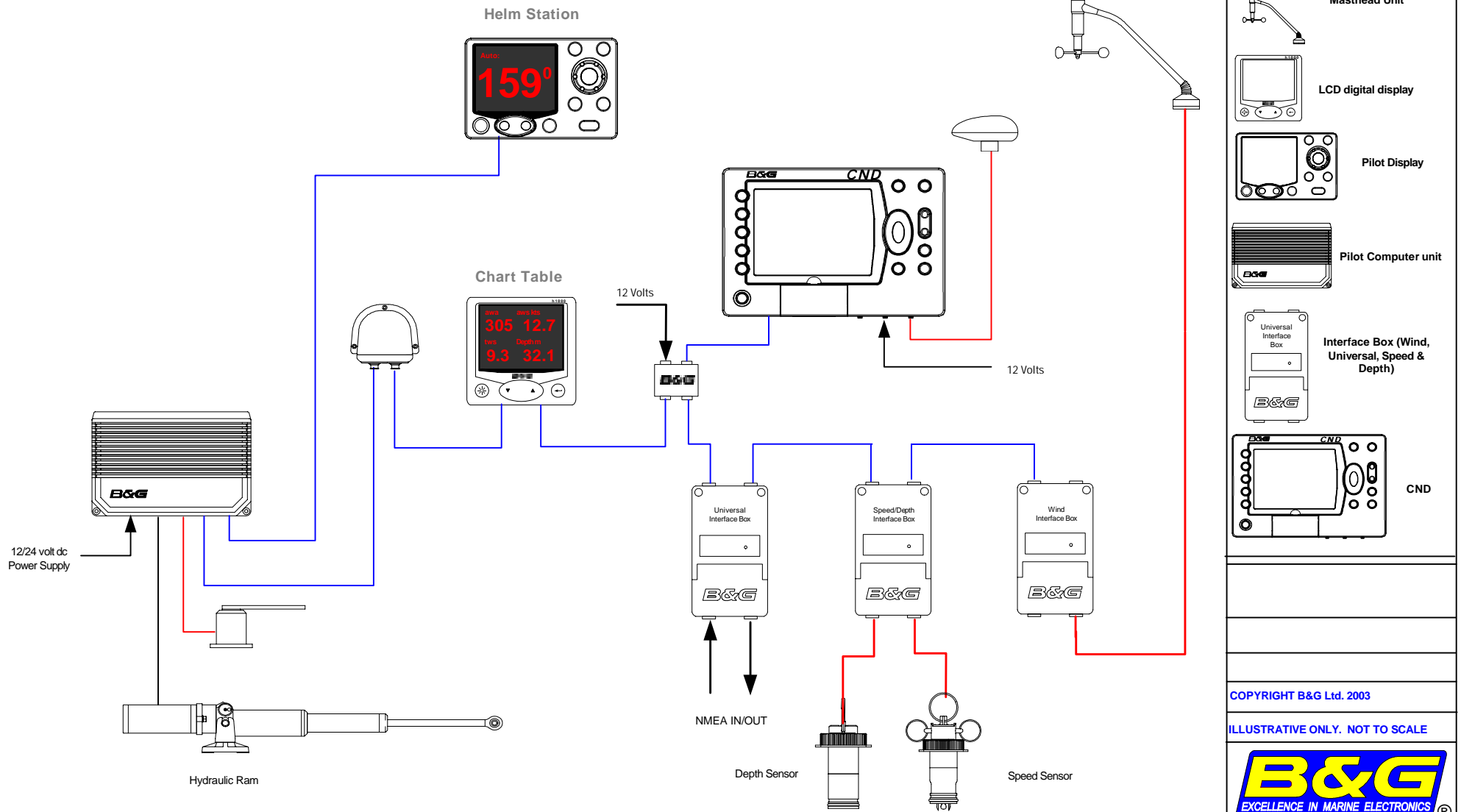


# h1000 Solution - Speed, Depth, Wind, Pilot (with Compass) & Plotter



COPYRIGHT B&G Ltd. 2003

ILLUSTRATIVE ONLY. NOT TO SCALE



CUSTOMER NAME:

BOAT NAME:

BOAT TYPE:

Actual positions may change due to physical layout of yacht